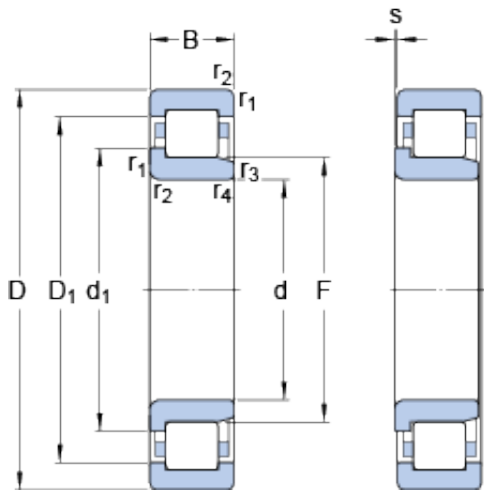




KOYO PRECISION AXLE CORP.



45 mm x 85 mm x 19 mm SKF NJ 209 ECM thrust ball bearings

Bearing No. NJ 209 ECM

NJ 209 ECM Bearing 2D drawings and 3D CAD models

Size	85x45x19 mm
Bore Diameter	85 mm
Outer Diameter	45 mm
Width	19 mm
d	45 mm
D	85 mm
B	19 mm
d ₁	59 mm
D ₁	72.4 mm
F	54.5 mm
r _{1,2} - min.	1.1 mm
r _{3,4} - min.	1.1 mm
s	1.2 mm
d _a - min.	52 mm
d _a - max.	53 mm
d _b - min.	61 mm
D _a - max.	77.6 mm
r _a - max.	1 mm
Basic dynamic load rating - C	69.5 kN
Basic static load rating - C ₀	64 kN
Fatigue load limit - P _u	8.2 kN
Reference speed	9000 r/min
Limiting speed	9500 r/min
Calculation factor - k _r	0.15



KOYO PRECISION AXLE CORP.

d_1	59 mm
D_1	72.4 mm
$r_{1,2}$ min.	1.1 mm
$r_{3,4}$ min.	1.1 mm
s max.	1.2 mm
d_a min.	52 mm
d_a max.	53 mm
d_b min.	61 mm
D_a max.	77.6 mm
r_a max.	1 mm
Basic dynamic load rating C	69.5 kN
Basic static load rating C_0	64 kN
Fatigue load limit P_u	8.15 kN
Calculation factor k_r	0.15
Limiting value e	0.2
Axial load factor Y	0.6
Mass bearing	0.5 kg