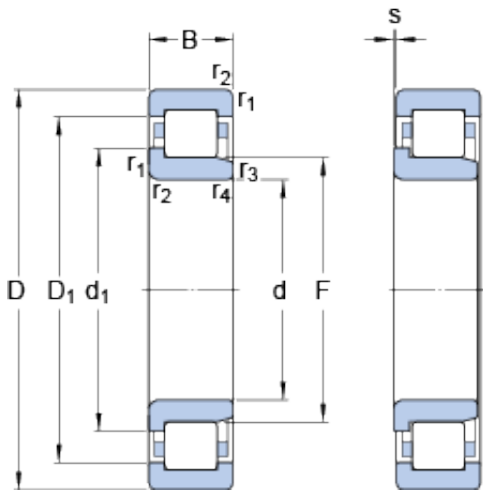




# KOYO PRECISION AXLE CORP.



## 45 mm x 85 mm x 19 mm SKF NJ 209 ECJ thrust ball bearings

Bearing No. NJ 209 ECJ

NJ 209 ECJ Bearing 2D drawings and 3D CAD models

Size	85x45x19 mm
Bore Diameter	85 mm
Outer Diameter	45 mm
Width	19 mm
d	45 mm
D	85 mm
B	19 mm
d <sub>1</sub>	59 mm
D <sub>1</sub>	72.4 mm
F	54.5 mm
r <sub>1,2</sub> - min.	1.1 mm
r <sub>3,4</sub> - min.	1.1 mm
s	1.2 mm
d <sub>a</sub> - min.	52 mm
d <sub>a</sub> - max.	53 mm
d <sub>b</sub> - min.	61 mm
D <sub>a</sub> - max.	77.6 mm
r <sub>a</sub> - max.	1 mm
Basic dynamic load rating - C	69.5 kN
Basic static load rating - C <sub>0</sub>	64 kN
Fatigue load limit - P <sub>u</sub>	8.2 kN
Reference speed	9000 r/min
Limiting speed	9500 r/min
Calculation factor - k <sub>r</sub>	0.15



## KOYO PRECISION AXLE CORP.

Category	Bearings
Inventory	0.0
Manufacturer Name	SKF
Minimum Buy Quantity	N/A
Weight / Kilogram	0
Product Group	B04144
$d_1$	59 mm
$D_1$	72.4 mm
$r_{1,2}$ min.	1.1 mm
$r_{3,4}$ min.	1.1 mm
s max.	1.2 mm
$d_a$ min.	52 mm
$d_a$ max.	53 mm
$d_b$ min.	61 mm
$D_a$ max.	77.6 mm
$r_a$ max.	1 mm
Basic dynamic load rating C	69.5 kN
Basic static load rating $C_0$	64 kN
Fatigue load limit $P_u$	8.15 kN
Calculation factor $k_r$	0.15
Limiting value e	0.2
Axial load factor Y	0.6
Mass bearing	0.45 kg