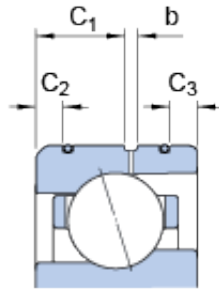
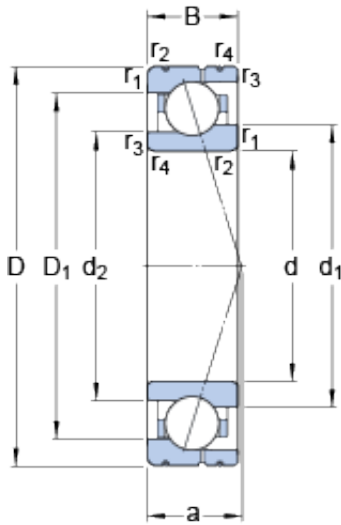




KOYO PRECISION AXLE CORP.



55 mm x 80 mm x 13 mm SKF 71911 CE/P4AL
angular contact ball bearings

Bearing No. 71911 CE/P4AL

71911 CE/P4AL Bearing 2D drawings and 3D CAD models

Size	80x55x13 mm
Bore Diameter	80 mm
Outer Diameter	55 mm
Width	13 mm
d	55 mm
D	80 mm
B	13 mm
d ₁	62.75 mm
d ₂	60.7 mm
D ₁	72.3 mm
b	2.2 mm
C ₁	6.5 mm
C ₂	2.5 mm
C ₃	2 mm
r _{1,2} - min.	1 mm
r _{3,4} - min.	0.3 mm
a	16.2 mm
d _a - min.	59.6 mm
d _b - min.	57 mm
D _a - max.	75.4 mm
D _b - max.	78 mm
r _a - max.	1 mm
r _b - max.	0.3 mm
d _n	64.6 mm



KOYO PRECISION AXLE CORP.

Basic dynamic load rating - C	15.3 kN
Basic static load rating - C ₀	10.6 kN
Fatigue load limit - P _u	0.455 kN
Limiting speed for grease lubrication	24000 r/min
Limiting speed for oil lubrication	36000 mm/min
Ball - D _w	7.938 mm
Ball - z	21
G _{ref}	2.3 cm ³
Calculation factor - f ₀	8.4
Preload class A - G _A	83 N
Preload class B - G _B	250 N
Preload class C - G _C	500 N
Calculation factor - f	1.16
Calculation factor - f	1
Calculation factor - f _{2A}	1
Calculation factor - f _{2B}	1.04
Calculation factor - f _{2C}	1.08
Calculation factor - f _{HC}	1
Preload class A	42 N/micron
Preload class B	67 N/micron
Preload class C	92 N/micron
d ₁	62.75 mm
d ₂	60.7 mm
D ₁	72.3 mm
C ₁	6.5 mm
C ₂	2.5 mm
C ₃	2 mm
r _{1,2} min.	1 mm



KOYO PRECISION AXLE CORP.

$r_{3,4}$ min.	0.3 mm
d_a min.	59.6 mm
d_b min.	57 mm
D_a max.	75.4 mm
D_b max.	78 mm
r_a max.	1 mm
r_b max.	0.3 mm
d_n	64.6 mm
Basic dynamic load rating C	15.3 kN
Basic static load rating C_0	10.6 kN
Fatigue load limit P_u	0.455 kN
Attainable speed for grease lubrication	24000 r/min
Attainable speed for oil-air lubrication	36000 r/min
Ball diameter D_w	7.938 mm
Number of balls z	21
Reference grease quantity G_{ref}	2.3 cm ³
Preload class A G_A	83 N
Static axial stiffness, preload class A	42 N/ μ m
Preload class B G_B	250 N
Static axial stiffness, preload class B	67 N/ μ m
Preload class C G_C	500 N
Static axial stiffness, preload class C	92 N/ μ m
Calculation factor f	1.16
Calculation factor f_1	1
Calculation factor f_{2A}	1
Calculation factor f_{2B}	1.04
Calculation factor f_{2C}	1.08
Calculation factor f_{HC}	1



KOYO PRECISION AXLE CORP.

Calculation factor f_0	8.4
Mass bearing	0.17 kg