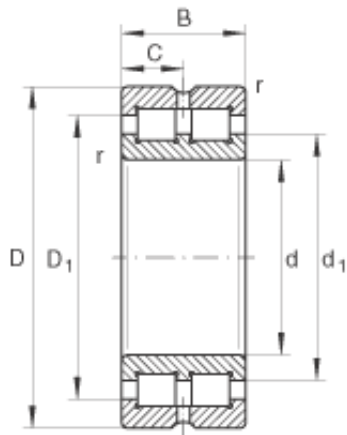




KOYO PRECISION AXLE CORP.



400 mm x 540 mm x 140 mm INA SL014980
cylindrical roller bearings

Bearing No. SL014980

SL014980 Bearing 2D drawings and 3D CAD models

Size	400x540x140 mm
Bore Diameter	400 mm
Outer Diameter	540 mm
Width	140 mm
d	400 mm
D	540 mm
B	140 mm
C	70 mm
D ₁	489 mm
d ₁	450,5 mm
r _{min}	4 mm
	NNC4980V / Designation to DIN 5412
m	96,5 kg / Weight
C _r	2310000 N / Dynamic load rating (radial)
C _{0r}	5800000 N / Static load rating (radial)
C _{ur}	600000 N / Fatigue limit load, radial
n _G	650 1/min / Limiting speed