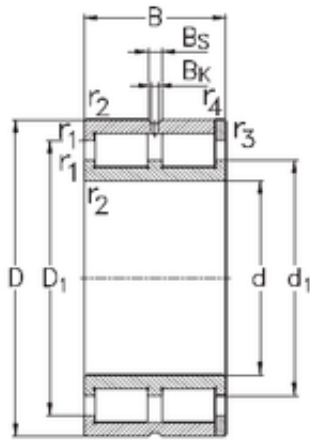




KOYO PRECISION AXLE CORP.



400 mm x 540 mm x 140 mm NKE
NNC4980-V cylindrical roller bearings

Bearing No. NNC4980-V

Size	400x540x140 mm
Bore Diameter	400 mm
Outer Diameter	540 mm
Width	140 mm
d	400 mm
D	540 mm
B	140 mm
C	140 mm
d1	454 mm
r1 min.	4 mm
r2 min.	4 mm
r3 min.	4 mm
r4 min.	4 mm
D1	486 mm
Weight	97,5 Kg
Basic dynamic load rating (C)	2194 kN
Basic static load rating (C0)	5762 kN

NNC4980-V Bearing 2D drawings and 3D CAD models