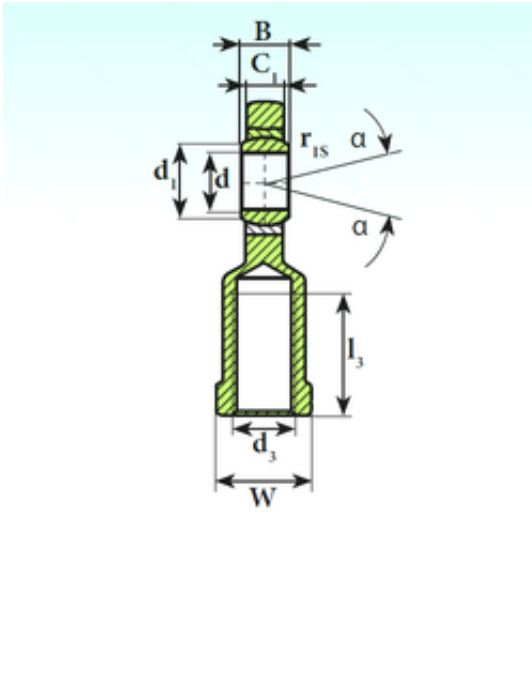




KOYO PRECISION AXLE CORP.



SI 25 C Bearing 2D drawings and 3D CAD models

25 mm x 42 mm x 20 mm ISB SI 25 C plain bearings

Bearing No. SI 25 C

Size	25x42x20 mm
Bore Diameter	25 mm
Outer Diameter	42 mm
Width	20 mm
d	25 mm
D	42 mm
B	20 mm
d1	29,3 mm
d2	64 mm
d4	33,5 mm
dk	35,5 mm
h1	94 mm
l3 min.	48 mm
l4 max.	126 mm
l5	12 mm
l7 min.	32 mm
r min.	0,6 mm
C1	17 mm
W	36 mm
Thread (G)	M24x2
Angle	7 °
d5	42 r/min
Weight	0,64 Kg
Basic dynamic load rating (C)	51 kN