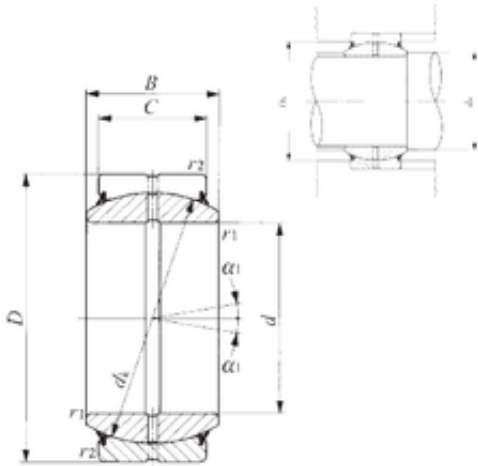




KOYO PRECISION AXLE CORP.

25 mm x 42 mm x 20 mm IKO GE 25ES-2RS plain bearings



Bearing No. GE 25ES-2RS

GE 25ES-2RS Bearing 2D drawings and 3D CAD models

Size	25x42x20 mm
Bore Diameter	25 mm
Outer Diameter	42 mm
Width	20 mm
d	25 mm
D	42 mm
B	20 mm
C	16 mm
dk	35,5 mm
r1 min.	0,6 mm
r2 min.	0,6 mm
da min.	29 mm
da max	29 mm
Da min	37,5 mm
Da max.	37 mm
Angle	4 °
Weight	0,115 Kg
Basic dynamic load rating (C)	55,7 kN